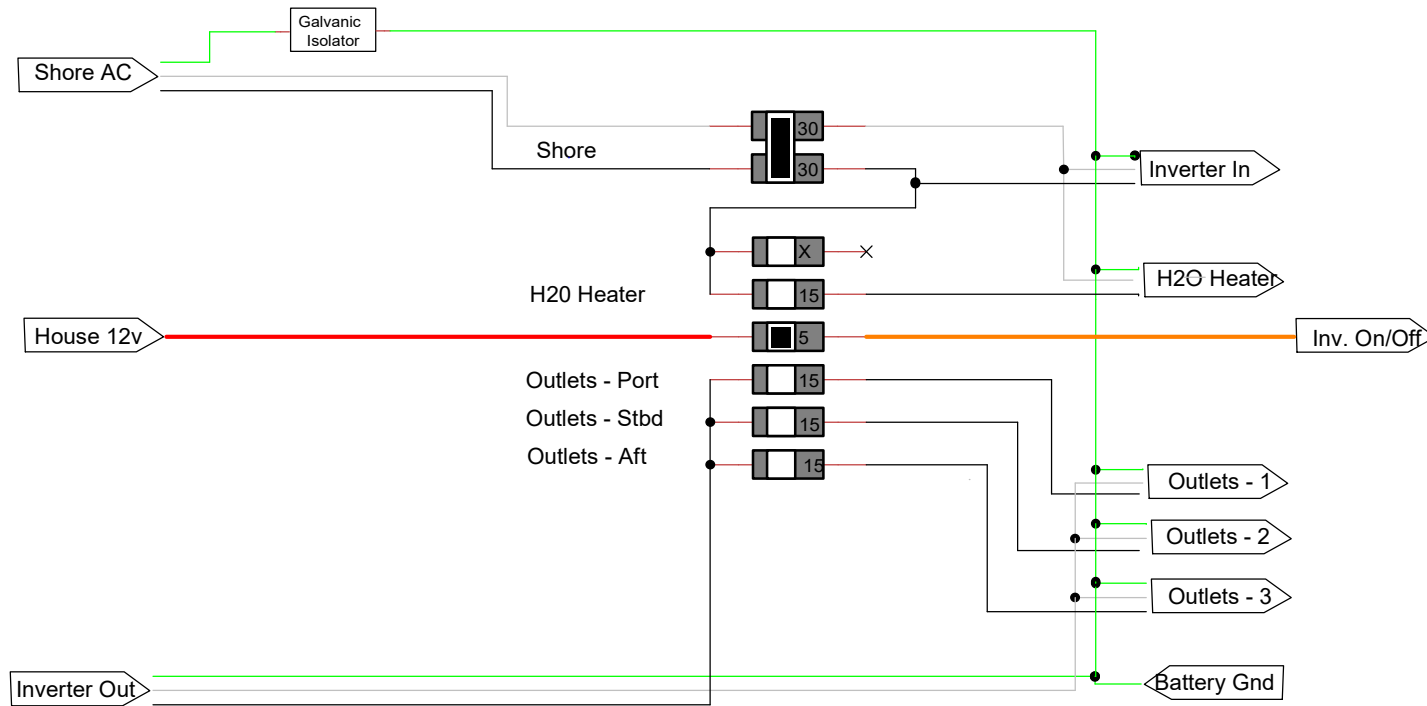
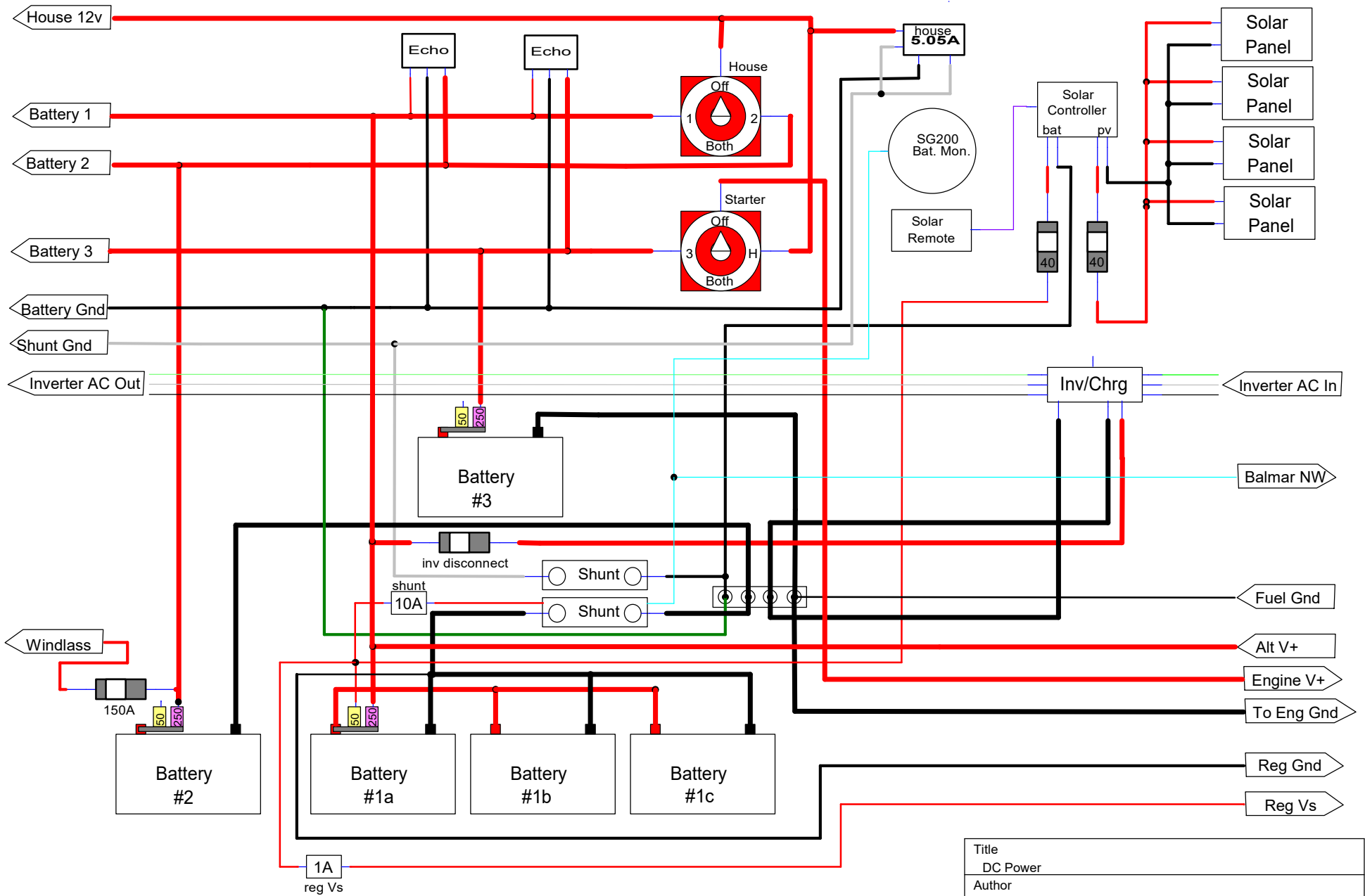


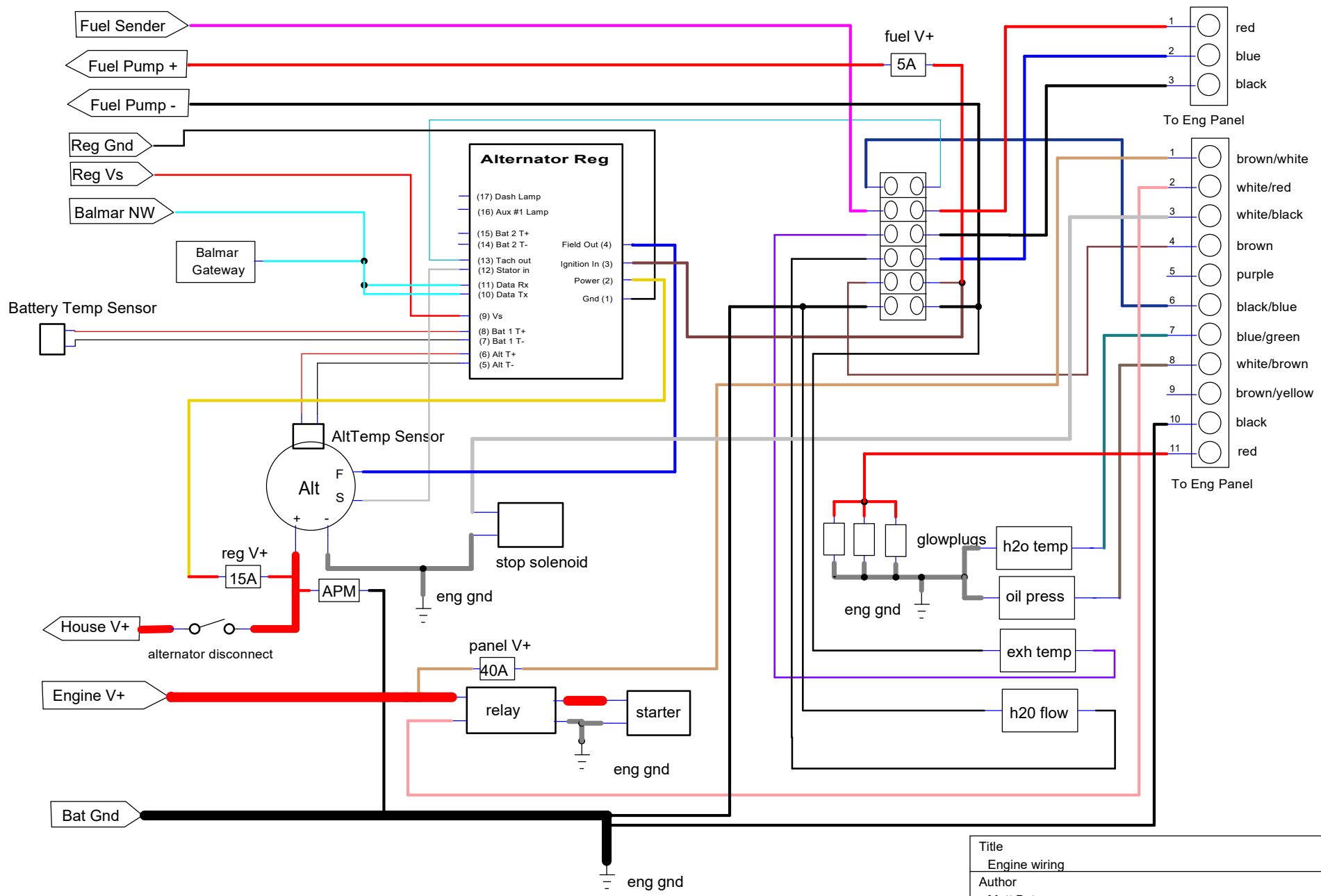
Title DC Panel		
Author Matt Bateman		
File C:\Users\mbate\Dropbox\Per ... Electrical.dsn	Document	
Revision 1.2	Date 4/14/2024	Sheets



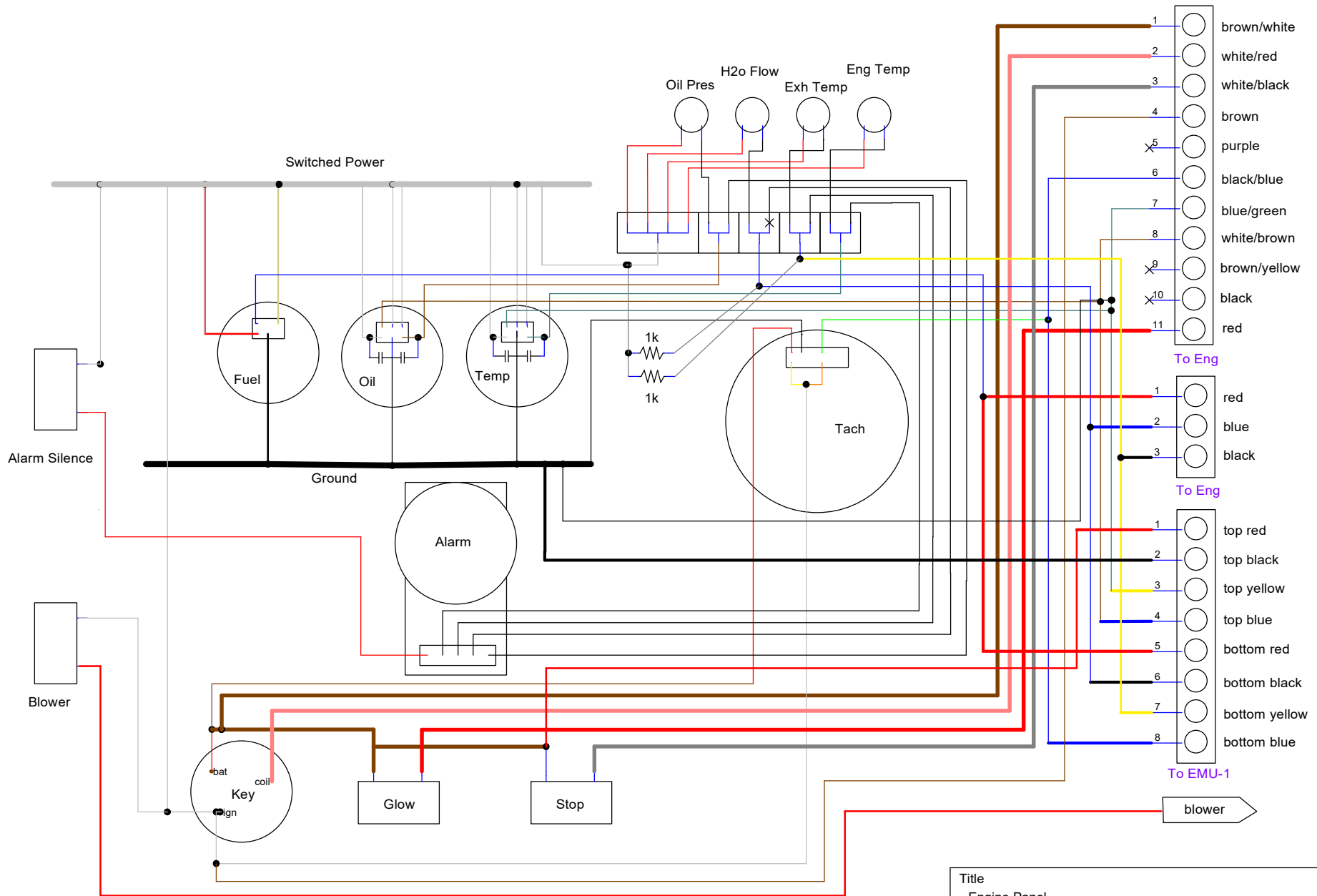
Title AC Panel		
Author Matt Bateman		
File	C:\Users\mbate\Dropbox\Per ... Electrical.dsn	Document
Revision	Date	Sheets
2.0	8/11/2021	



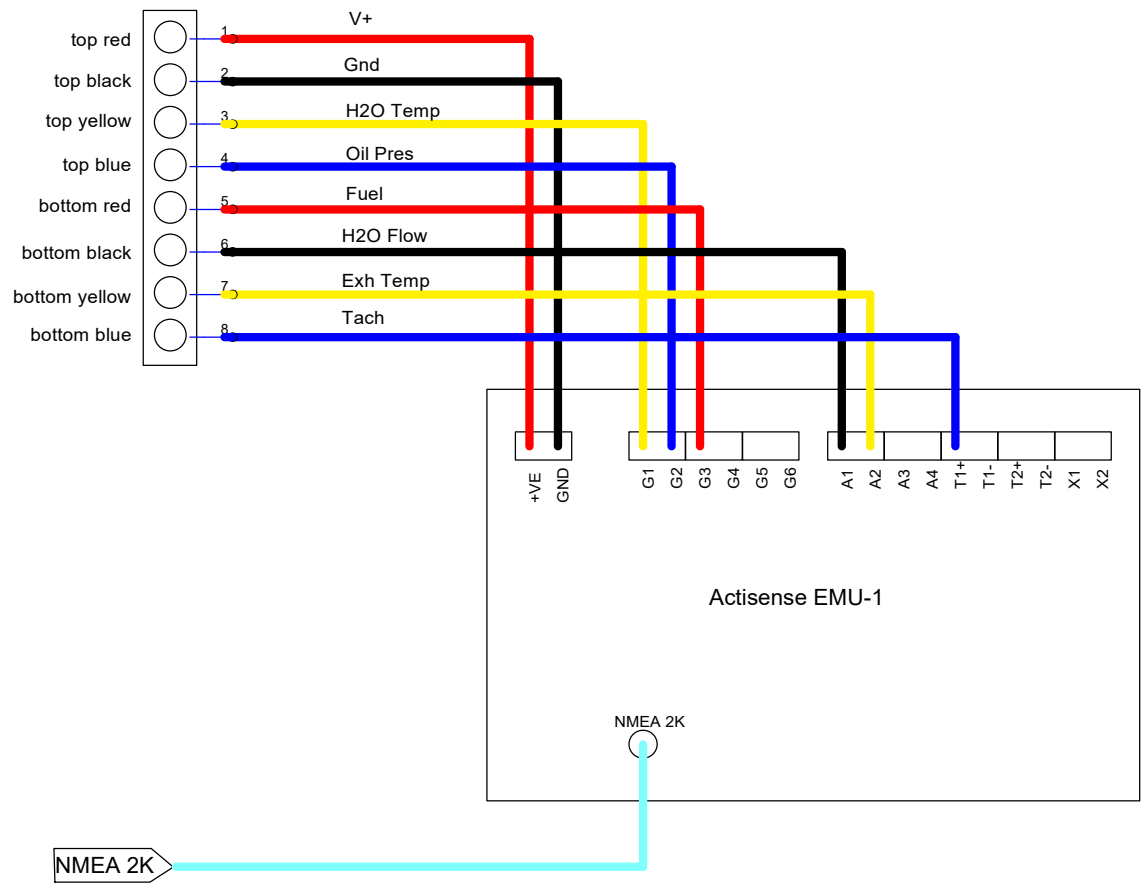
Title DC Power		
Author Matt Bateman		
File C:\Users\mbate\Dropbox\Per ... Electrical.dsn	Document	
Revision 3.0	Date 2/3/24	Sheets



Title Engine wiring		
Author Matt Bateman		
File	C:\Users\mbate\Dropbox\Per ... Electrical.dsn	Document
Revision	Date	Sheets
1.0	4/9/24	



Title Engine Panel		
Author Matt Bateman		
File	C:\Users\mbate\Dropbox\Per ... Electrical.dsn	Document
Revision	Date	Sheets
1.2	4/14/24	



Title Engine Monitor		
Author Matt Bateman		
File C:\Users\mbate\Dropbox\Per ... Electrical.dsn	Document	
Revision 1.0	Date 3/27/24	Sheets